

DRR Series

DELTA DIN RAIL REDUNDANCY MODULE

FEATURES

- 24V to 48Vdc - 20A & 40A Redundancy module
- 2 Channel Inputs
- 2 x DC OK LED indicator signal
- Voltage alarms relay output
- Wide Input 22-60Vdc
- Conformal coating Corrosion resistant
- RoHS Compliant
- DIN Rail mounting



SPECIFICATIONS

INPUT	
Input voltage	24V - 48Vdc
Input current	DRR-20: 20A Max DRR-40: 40Max
OUTPUT	
Output voltage	24 - 48Vdc Vin - 0.65Vdc drop
Output current	DRR-20: 20A Max DRR-40: 40Max
Short Circuit Over Load Limit	DRR-20: 25A DRR-40: 50A
Efficiency	> 97% typ.
STANDARDS & APPROVALS	
Electrical Equipment	IEC60204-1 (Over Voltage Category III)
Electrical Safety	UR/cUR recognized to UL60950-1, AIQ BG to EN60950-1, CB test certificate and report to IEC60950-1 and CE
Industrial Control Equipment	UL/cUL listed to UL508
Hazardous Location / ATEX	cCSAus to CSA C22.2 No.213-M1987, ANSI / ISA 12.12.01:2007 [Class I, Division 2, Group A,B,C,D T4, Ta = -40°C to +80°C (> +50°C derating)] EN60079-0:2009, EN60079-15:2010 [ExII 3G Ex nA nC IIC T4 Gc, Ta = -40°C to +80°C (> +50°C derating)]
CE	Conformance with EMC guideline 2004/108/EC and for low voltage guideline 2006/95/EC For DRR-20A and DRR-40A: In conformance with Equipment for explosive atmospheres (ATEX) directive 94/9/EC
Electronic Equipment	EN50178 / IEC62103
Safety Entry Low Voltage	PELV (EN60204), SELV (EN60950)
RoHS Compliant	RoHS Directive 2011/65/EU Compliant
Protection Against Electric Shock	DIN 57100-410

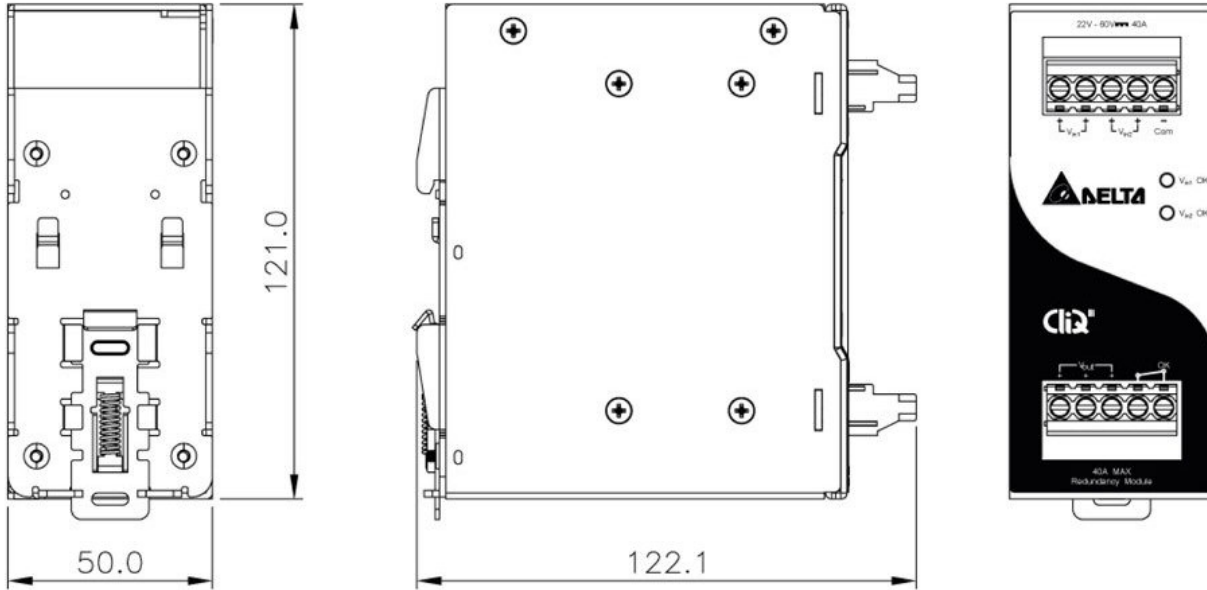
ENVIRONMENTAL	
Operating Temperature	-40°C to +80°C
De-rating	> 50°C derate 2.5%/°C linearly to 70°C
Humidity	95%RH (Non condensing)
PROTECTION	
Overload	The overload condition must be controlled by The PSUs in parallel; The limit of input current would not more than 25A (For 20A module) or not more than 50A (For 60A module).
MTBF	>800,000hrs , as per Bellecore std, or IEC61709
Isolation voltage	Input - PE; 1.5KVAC Output - PE; 1.5KVAC
Degree of protection	IP20
Class of protection	Class II with PE connection
ALARMS & INDICATORS	
Indicators	DC Input OK: V in1 OK and V in2 OK (Green LED) 24V System; LED turns on when Vin1 & Vin2 > 18V ±5%, and not more than 30V 48V System; LED turns on when Vin1 & Vin2 > 36V ±5% and not more than 60V Outside these ranges the LED will turn OFF
DC Input OK: V in1 OK and V in2 OK (Green LED)	24V system: Vin1 & Vin2, >18V ± 5% or <30V 48V system: Vin1 & Vin2, >36V ± 5% or <60V
MECHANICAL	
Case Cover	Aluminium
Dimensions/Weight	121 x 50 x 122mm, 375g 121 x 50 x 122mm, 515g
Mounting Rail	TS35 DIN Rail in accordance with EN60715

DRR Series

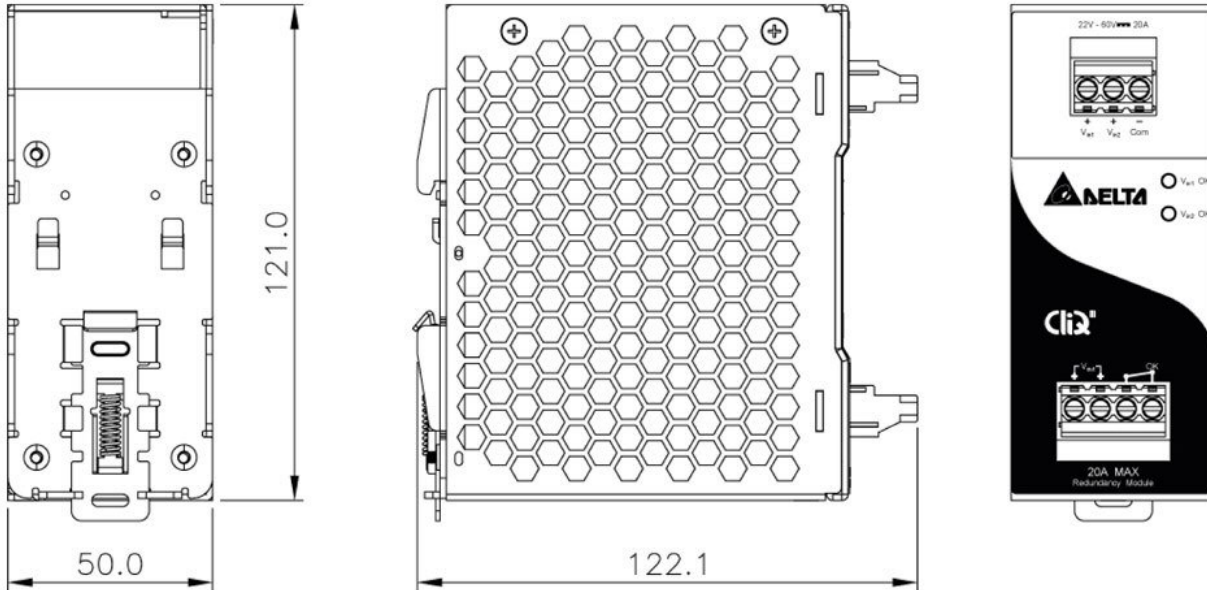
DELTA DIN RAIL REDUNDANCY MODULE

TECHNICAL ILLUSTRATIONS

DRR-40



DRR-20



APPLICATION

