

# PU 450 Series

450-480 WATTS - AC/DC MULTIPLE OUTPUT

OPEN FRAME & ENCLOSED

## SELECTION TABLE

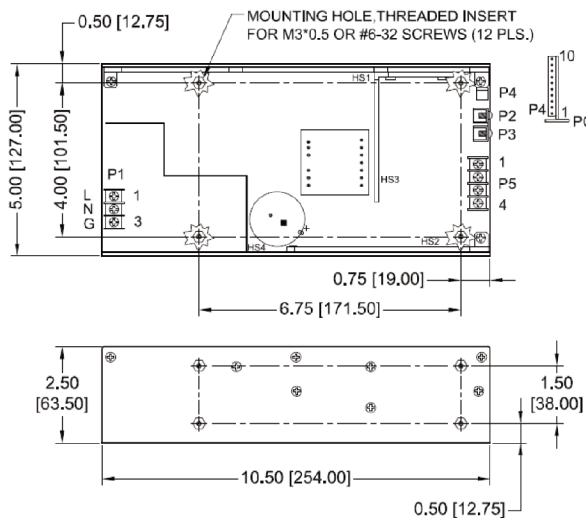
MODEL(1)	OUTPUT #1(3)(5)				OUTPUT #2(5)				OUTPUT #3(4)				MAX. OUTPUT POWER(6)
	V1	IMIN.	IMAX.	TOL.	V2	IMIN.	IMAX.	TOL.	V3	IMIN.	IMAX.	TOL.	
PU450-18B	48 V	0 A	10.0 A	±2%	(N/A) (N/A)				(N/A)				240/480W
PU450-19B	55 V	0 A	8.73 A	±2%	(N/A) (N/A)				(N/A)				240/480W
PU450-20B	24 V	1.0 A	12.0 A	±2%	12 V	1.00 A	17 A	±5%	(N/A)				225/450W
PU450-21B	24 V	1.0 A	12.0 A	±2%	15 V	0.75 A	15 A	±5%	(N/A)				225/450W
PU450-22B	48 V	0.5 A	6.0 A	±2%	24 V	0.50 A	10 A	±5%	(N/A)				225/450W
PU450-23B	48 V	0.5 A	6.0 A	±2%	12 V	1.00 A	17 A	±5%	(N/A)				225/450W
PU450-24B	48 V	0.5 A	6.0 A	±2%	15 V	0.75 A	15 A	±5%	3.3 V	(N/A)		±3%	225/450W
PU450-30B	24 V	1.0 A	12.0 A	±2%	12 V	1.00 A	17 A	±5%	3.3 V	0 A	8 A	±3%	225/450 W
PU450-31B	24 V	1.0 A	12.0 A	±2%	15 V	0.75 A	15 A	±5%	3.3 V	0 A	8 A	±3%	225/450W
PU450-32B	24 V	1.0 A	12.0 A	±2%	12 V	1.00 A	17 A	±5%	5.1 V	0 A	8 A	±3%	225/450W
PU450-33B	24 V	1.0 A	12.0 A	±2%	15 V	0.75 A	15 A	±5%	5.1 V	0 A	8 A	±3%	225/450W
PU450-34B	48 V	0.5 A	6.0 A	±2%	12 V	1.00 A	17 A	±5%	3.3 V	0 A	8 A	±3%	225/450 W
PU450-35B	48 V	0.5 A	6.0 A	±2%	15 V	0.75 A	15 A	±5%	3.3 V	0 A	8 A	±3%	225/450W
PU450-36B	48 V	0.5 A	6.0 A	±2%	12 V	1.00 A	17 A	±5%	5.1 V	0 A	8 A	±3%	225/450 W
PU450-37B	48 V	0.5 A	6.0 A	±2%	15 V	0.75 A	15 A	±5%	5.1 V	0 A	8 A	±3%	225/450 W

### NOTE:

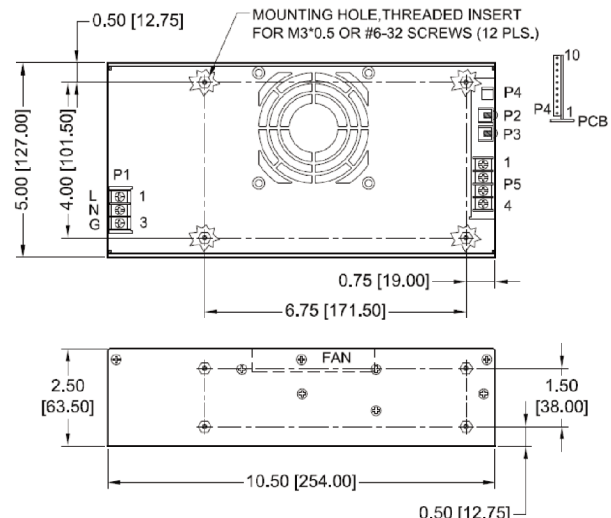
- Suffix "B" in model numbers denotes U-bracket form. Change "B" to "C" for enclosed form with cover-and-fan assembly, e.g. PU450-14C.
- All outputs are floating. They can be connected externally for positive or negative output.
- Output #1 can be adjusted within ±5% of its nominal voltage.
- Output #3 can be adjusted within ±15% of its nominal voltage.
- 450-480 watts for "C" version with cover-and-fan assembly. 225-240 watts for "B" version without moving air (maximum current of output #1 & 2 derated to 50%), or 450 watts with 40 CFM forced air provided by user.
- All models may be operated at no-load. At no-load, output voltage tolerance increases to ±10%.derated to 50%), or 450 watts with 40 CFM forced air provided by user.
- Weight: 1.8 Kgs for U bracket.

## MECHANICAL SPECIFICATIONS

### U-bracket Form



### Enclosed Form



## PIN CHART

MODEL	CONN PIN	1	P1 (AC) 2	3	P2	P3	1	P5 2	3	4
Dual output		Live	Neutral	Ground	+V1	V1 Return	+V2	V2 Return	N.C.	N.C.
Triple output		Live	Neutral	Ground	+V1	V1 Return	+V2	V2 Return	+V3	V3 Return

MODEL	P4	1	2	3	4	5	6	7	8	9	10
Dual/triple output	PFD Return	+V1 Sense	-V1 Sense	PFD	Inhibit +V	Inhibit -V	+V2 Sense	-V2 Sense	Fan Return	+12V Fan	