

# PM80

60-80 WATTS DC/DC SINGLE-DUAL

## FEATURES

- Very wide input voltage range
- Reverse input voltage protection
- Din rail mounting
- High efficiency
- EMI/RFI EN55022-B
- Low ripple output
- Operating temperature -25 to +55°C

## SPECIFICATIONS

### INPUT

Input voltage 12V, 24V, 36V, 48V, 110V, 220V  
See table for details

Reverse polarity protection Yes

### OUTPUT SPECIFICATIONS

Output voltage See table  
Voltage adjustment 60V  $\pm$ 10%; 24V  $\pm$ 10%; 15V, 12-16V  
Output current See table  
Ripple & noise <2mV rms  
Load regulation 0.2%  
Line regulation 0.2%  
Temperature coefficient 0.02% per °C  
Overcurrent protection Yes  
Transient response 3mS typical, 10%–90% load step

### OPERATING

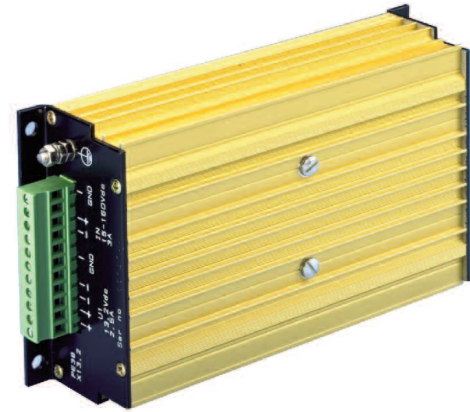
Efficiency 78%–85%  
Switching frequency 45kHz  
Safety isolation For 24V, 48V inputs and below:  
Input – Output: 2000VDC  
Input - Case: 2000VDC  
Output – Case: 1000VDC  
For 60V input and above:  
Input – Output: 2500VAC  
Input - Case: 2500VDC  
Output – Case: 1000VDC

### ENVIRONMENTAL

Operating temperature -25°C to 55°C 100% Load  
Storage temperature -40°C to 85°C  
Can be used in non-condensing tropic Yes

### STANDARDS AND APPROVALS

Safety standards IEC60950, EN/IEC61204-3  
C-Tick AS/NZS CISPR11 Group 1, Class A  
EMC standards EN/IEC61000-4-4, 4KV  
EN/IEC61000-4-5 Level 2 and 3  
EMI standards EN55011/EN55022 Level B



### MECHANICAL SPECIFICATIONS

Dimensions 157x106x48mm  
Weight 0.65kg

## SELECTION TABLE

MODEL NUMBER	INPUT	OUTPUT1	OUTPUT2	POWER		
PM80 24/24-24	18-32V	24V	2.50A	60W		
PM80 24/36-36	18-32V	36V	1.68A	60W		
PM80 24/24-48	18-32V	48V	1.25A	60W		
PM80 24/36-72	18-32V	72V	0.84A	60W		
PM80 48/24-24	40-60V	24V	3.34A	80W		
PM80 48/36-36	40-60V	36V	2.24A	80W		
PM80 48/24-48	40-60V	48V	1.67A	80W		
PM80 48/36-72	40-60V	72V	1.12A	80W		
PM80 110/24-24	88-150V	24V	3.34A	80W		
PM80 110/36-36	88-150V	36V	2.24A	80W		
PM80 110/24-48	88-150V	48V	1.67A	80W		
PM80 110/36-72	88-150V	72V	1.12A	80W		
PM80 220/24-24	175-300V	24V	3.34A	80W		
PM80 220/36-36	175-300V	36V	2.24A	80W		
PM80 220/24-48	175-300V	48V	1.67A	80W		
PM80 220/36-72	175-300V	72V	1.12A	80W		
PM80 24/24-24	18-32V	24V	1.25A	24V	1.25A	80W
PM80 24/36-36	18-32V	36V	0.84A	36V	0.84A	80W
PM80 48/24-24	40-60V	24V	1.67A	24V	1.67A	80W
PM80 48/36-36	40-60V	36V	1.12A	36V	1.12A	80W
PM80 110/24-24	88-150V	24V	1.67A	24V	1.67A	80W
PM80 110/36-36	88-150V	36V	1.12A	36V	1.12A	80W
PM80 220/24-24	175-300V	24V	1.67A	24V	1.67A	80W
PM80 220/36-36	175-300V	36V	1.12A	36V	1.12A	80W

Models consists of 2 isolated outputs 24V and 36V for connection in series or parallel.

**NOTE:** For dual output models, please consult Powerbox for model number and details.

# PM80

60-80 WATTS DC/DC SINGLE-DUAL

## TECHNICAL ILLUSTRATION

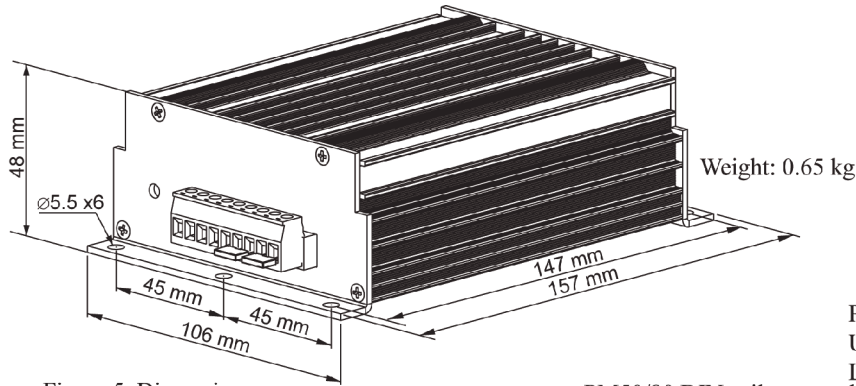
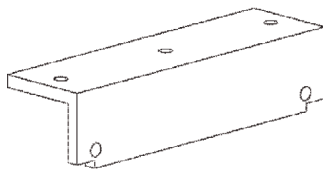


Figure 5. Dimensions



Optional bracket L60-1

PM50/80 wall mounted.  
Using standard accessories.

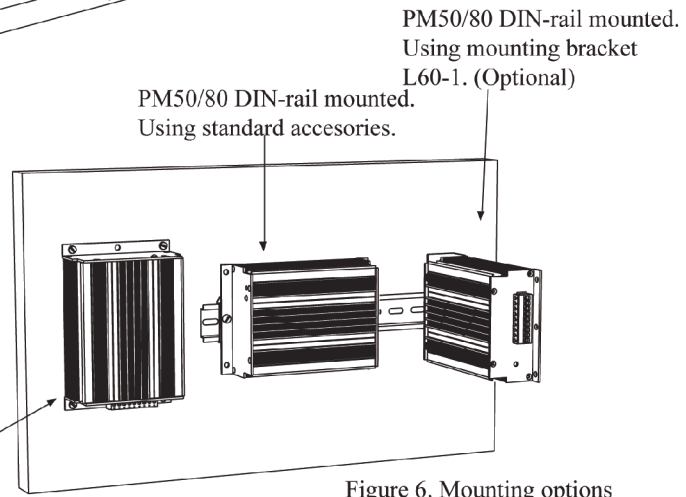


Figure 6. Mounting options