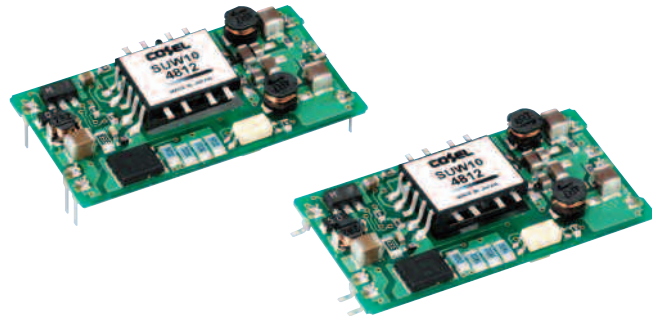


PBB4A Series

1.5-10 WATTS - DC/DC SINGLE & MULTIPLE OUTPUT

FEATURES

- High power density
- Low profile
- PCB mounting
- 2:1 input ratio
- Regulated output
- Overcurrent protection
- On/off remote control



SPECIFICATIONS

INPUT	
Nominal voltage	5Vdc, 12Vdc, 24Vdc, 48Vdc
Voltage range	4.5-9V, 9-18V, 18-36V, 36-76V
Isolation (input - output)	500Vac 1 minute, cutoff current = 10mA, 500Vdc 50M Ω min (20 \pm 15°C).
OUTPUT	
Output voltage	See table
Voltage adjustment	Fixed (TRM pin open) \pm 5% adjustable by external VR.
Output current	See table
Output voltage setting	Within \pm 3% of nominal
Ripple & noise	All output 120-150mV pk-pk max (-20 - +55°C) All output 200mV pk-pk max (-40 - -20°C)
Line regulation	Single Out: 5V rail - 20mV, 12V rail - 48mV, 15V rail - 60mV. Dual Out: \pm 12V rail - 60mV, \pm 15V rail - 75mV
Load regulation	Single Out: 5V rail - 40mV, 12V rail - 100mV, 15V rail - 120mV. Dual Out: \pm 12V rail - 600mV, \pm 15V rail - 750mV
Drift	0.4%
Start-up time	20ms (Minimum input, I _o = 100%)
Overcurrent protection	Set at approx. 105% of rating and recovers automatically
OPERATING	
Efficiency	72-86% typically
Remote on/off	Provided on all model, except 1.5W module (Negative logic L : ON : OFF).
STANDARDS AND APPROVALS	
Safety	UL60950-1, C-UL, EN60950-1
C-Tick	AS/NZS CISPR11 Group 1 Class A

ENVIRONMENTAL	
Operating temperature	-40°C to 85°C (Required derating).
Operating humidity	20%-95% RH, non condensing
Operating altitude	3000m (10,000feet) max.
Vibration	10Hz-55Hz 10G 3 min period for 60 minutes each along x, y, and z axis
Shock/Impact	50G 11mS once each along x, y and z axis
MECHANICAL	
Dimensions	PBB4A-A: 21.4x6.5x12.2mm PBB4A-B: 24x6.5x15.1mm PBB4A-C: 31.6x6.5x18.1mm PBB4A-D: 39.2x6.5x21mm
Weight	PBB4A-A: 2g max. PBB4A-B: 3g max. PBB4A-C: 4g max. PBB4A-D: 6g max.

PBB4A Series

1.5-10 WATTS - DC/DC SINGLE & MULTIPLE OUTPUT

SELECTION TABLE - SINGLE OUTPUT

MODEL NUMBER	INPUT VOLTAGE VDC	OUTPUT VOLTAGE VDC	OUTPUT CURRENT A	OUTPUT POWER WATT
PBB4A-053R3A	4.5-9	3.3	0.4	1.5W
PBB4A-0505A	4.5-9	5	0.3	1.5W
PBB4A-0512A	4.5-9	12	0.13	1.5W
PBB4A-0515A	4.5-9	15	0.1	1.5W
PBB4A-123R3A	9-18	3.3	0.4	1.5W
PBB4A-1205A	9-18	5	0.3	1.5W
PBB4A-1212A	9-18	12	0.13	1.5W
PBB4A-1215A	9-18	15	0.1	1.5W
PBB4A-243R3A	18-36	3.3	0.4	1.5W
PBB4A-2405A	18-36	5	0.3	1.5W
PBB4A-2412A	18-36	12	0.13	1.5W
PBB4A-2415A	18-36	15	0.1	1.5W
PBB4A-483R3A	36-76	3.3	0.4	1.5W
PBB4A-4805A	36-76	5	0.3	1.5W
PBB4A-4812A	36-76	12	0.13	1.5W
PBB4A-4815A	36-76	15	0.1	1.5W
PBB4A-053R3B	4.5-9	3.3	0.6	3W
PBB4A-0505B	4.5-9	5	0.6	3W
PBB4A-0512B	4.5-9	12	0.25	3W
PBB4A-0515B	4.5-9	15	0.2	3W
PBB4A-123R3B	9-18	3.3	0.6	3W
PBB4A-1205B	9-18	5	0.6	3W
PBB4A-1212B	9-18	12	0.25	3W
PBB4A-1215B	9-18	15	0.2	3W
PBB4A-243R3B	18-36	3.3	0.6	3W
PBB4A-2405B	18-36	5	0.6	3W
PBB4A-2412B	18-36	12	0.25	3W
PBB4A-2415B	18-36	15	0.2	3W
PBB4A-483R3B	36-76	3.3	0.6	3W
PBB4A-4805B	36-76	5	0.6	3W
PBB4A-4812B	36-76	12	0.25	3W
PBB4A-4815B	36-76	15	0.2	3W
PBB4A-053R3C	4.5-9	3.3	1.2	6W
PBB4A-0505C	4.5-9	5	1	6W
PBB4A-0512C	4.5-9	12	0.5	6W
PBB4A-0515C	4.5-9	15	0.4	6W
PBB4A-123R3C	9-18	3.3	1.35	6W
PBB4A-1205C	9-18	5	1.2	6W
PBB4A-1212C	9-18	12	0.5	6W
PBB4A-1215C	9-18	15	0.4	6W
PBB4A-243R3C	18-36	3.3	1.35	6W
PBB4A-2405C	18-36	5	1.2	6W
PBB4A-2412C	18-36	12	0.5	6W
PBB4A-2415C	18-36	15	0.4	6W

MODEL NUMBER	INPUT VOLTAGE VDC	OUTPUT VOLTAGE VDC	OUTPUT CURRENT A	OUTPUT POWER WATT
PBB4A-483R3C	36-76	3.3	1.35	6W
PBB4A-4805C	36-76	5	1.2	6W
PBB4A-4812C	36-76	12	0.5	6W
PBB4A-4815C	36-76	15	0.4	6W
PBB4A-053R3D	4.5-9	3.3	2.6	10W
PBB4A-0505D	4.5-9	5	2	10W
PBB4A-0512D	4.5-9	12	0.9	10W
PBB4A-0515D	4.5-9	15	0.7	10W
PBB4A-123R3D	9-18	3.3	2.6	10W
PBB4A-1205D	9-18	5	2	10W
PBB4A-1212D	9-18	12	1	10W
PBB4A-1215D	9-18	15	0.8	10W
PBB4A-243R3D	18-36	3.3	2.6	10W
PBB4A-2405D	18-36	5	2	10W
PBB4A-2412D	18-36	12	1	10W
PBB4A-2415D	18-36	15	0.8	10W
PBB4A-483R3D	36-76	3.3	2.6	10W
PBB4A-4805D	36-76	5	2	10W
PBB4A-4812D	36-76	12	1	10W
PBB4A-4815D	36-76	15	0.8	10W

SELECTION TABLE - MULTIPLE OUTPUT

MODEL NUMBER	INPUT VOLTAGE VDC	OUTPUT VOLTAGE VDC	OUTPUT CURRENT A	OUTPUT POWER WATT
PBB4A-05D12A	4.5-9	±12 or +24	0.065	1.5W
PBB4A-05D15A	4.5-9	±15 or +30	0.05	1.5W
PBB4A-12D12A	9-18	±12 or +24	0.065	1.5W
PBB4A-12D15A	9-18	±15 or +30	0.05	1.5W
PBB4A-24D12A	18-36	±12 or +24	0.065	1.5W
PBB4A-24D15A	18-36	±15 or +30	0.05	1.5W
PBB4A-48D12A	36-76	±12 or +24	0.065	1.5W
PBB4A-48D15A	36-76	±15 or +30	0.05	1.5W
PBB4A-05D12B	4.5-9	±12 or +24	0.13	3W
PBB4A-05D15B	4.5-9	±15 or +30	0.1	3W
PBB4A-12D12B	9-18	±12 or +24	0.13	3W
PBB4A-12D15B	9-18	±15 or +30	0.1	3W
PBB4A-24D12B	18-36	±12 or +24	0.13	3W
PBB4A-24D15B	18-36	±15 or +30	0.1	3W
PBB4A-48D12B	36-76	±12 or +24	0.13	3W
PBB4A-48D15B	36-76	±15 or +30	0.1	3W
PBB4A-05D12C	4.5-9	±12 or +24	0.25	6W
PBB4A-05D15C	4.5-9	±15 or +30	0.2	6W
PBB4A-12D12C	9-18	±12 or +24	0.25	6W
PBB4A-12D15C	9-18	±15 or +30	0.2	6W

PBB4A Series

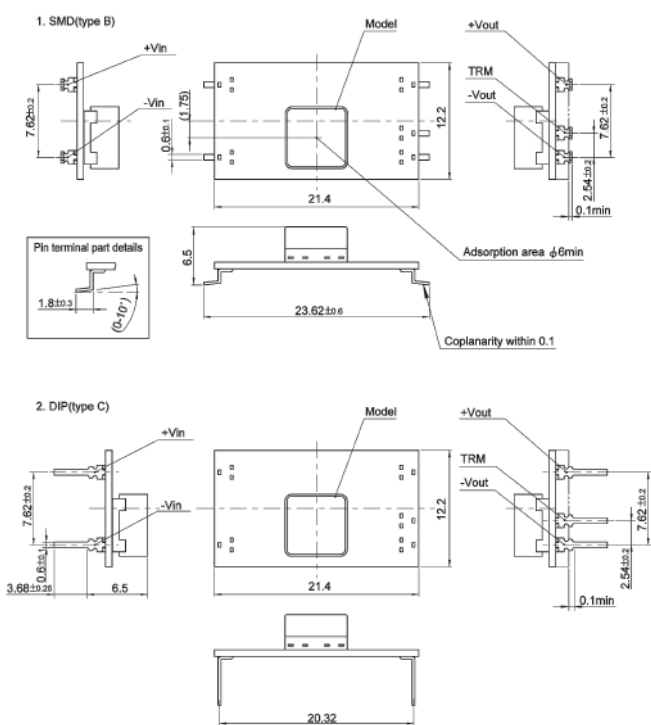
1.5-10 WATTS - DC/DC SINGLE & MULTIPLE OUTPUT

SELECTION TABLE

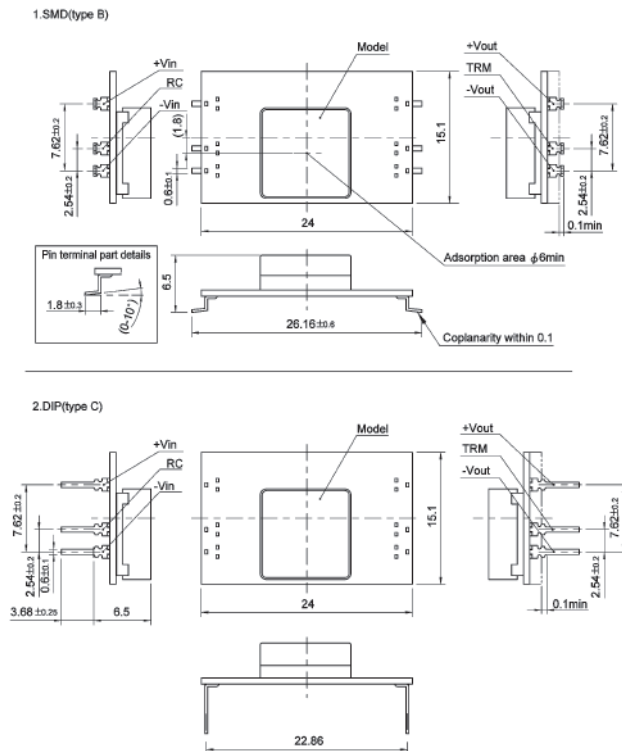
MODEL NUMBER	INPUT VOLTAGE VDC	OUTPUT VOLTAGE VDC	OUTPUT CURRENT A	OUTPUT POWER WATT
PBB4A-24D12C	18-36	±12 or +24	0.25	6W
PBB4A-24D15C	18-36	±15 or +30	0.2	6W
PBB4A-48D12C	36-76	±12 or +24	0.25	6W
PBB4A-48D15C	36-76	±15 or +30	0.2	6W
PBB4A-05D12D	4.5-9	±12 or +24	0.45	10W
PBB4A-05D15D	4.5-9	±15 or +30	0.35	10W
PBB4A-12D12D	9-18	±12 or +24	0.45	10W
PBB4A-12D15D	9-18	±15 or +30	0.35	10W
PBB4A-24D12D	18-36	±12 or +24	0.45	10W
PBB4A-24D15D	18-36	±15 or +30	0.35	10W
PBB4A-48D12D	36-76	±12 or +24	0.45	10W
PBB4A-48D15D	36-76	±15 or +30	0.35	10W

TECHNICAL ILLUSTRATION

PBB4A-A



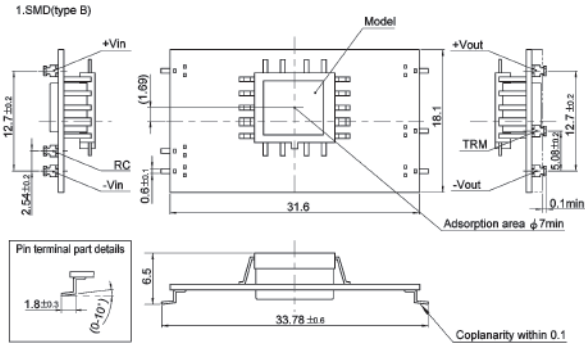
PBB4A-B



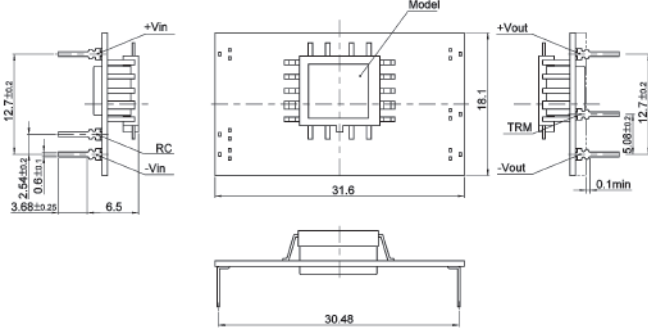
PBB4A Series

1.5-10 WATTS - DC/DC SINGLE & MULTIPLE OUTPUT

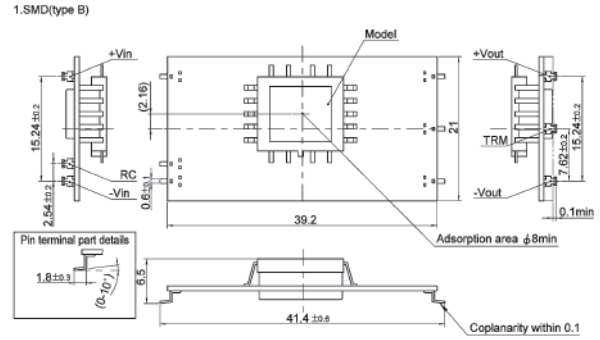
PBB4A-C



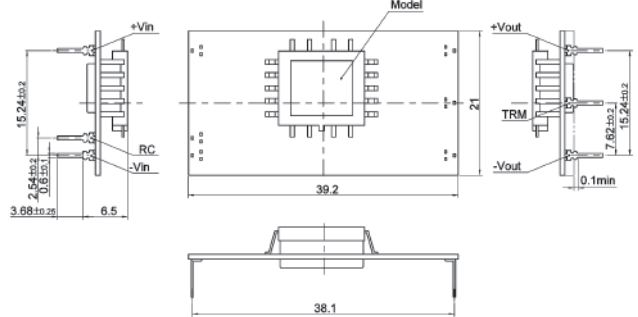
2. DIP (type C)



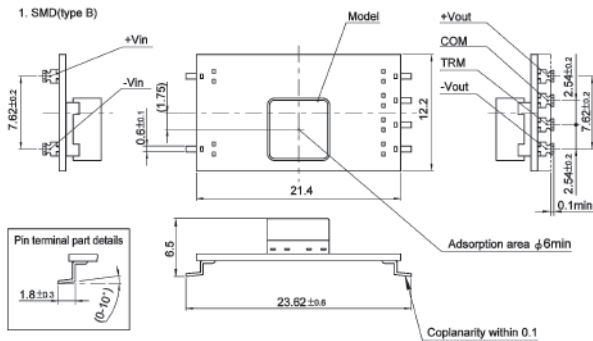
PBB4A-D



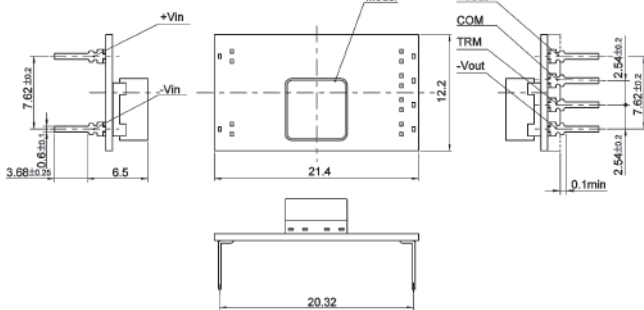
2. DIP (type C)



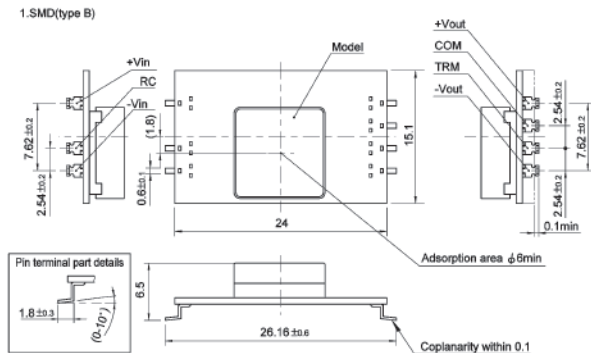
PBB4-D-A



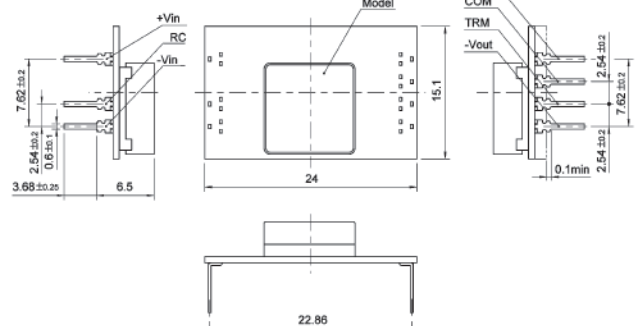
2. DIP (type C)



PBB4-D-B



2. DIP (type C)



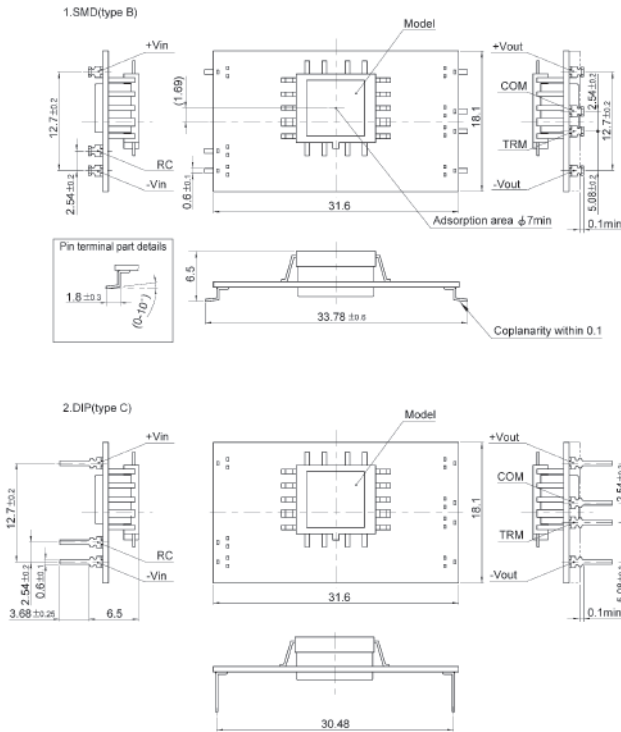
PBB4A Series

1.5-10 WATTS - DC/DC SINGLE & MULTIPLE OUTPUT

DC-DC PCB MOUNTED CONVERTERS & POWER MODULES

TECHNICAL ILLUSTRATION CTND

PBB4A-D-C



PBB4A-D-D

