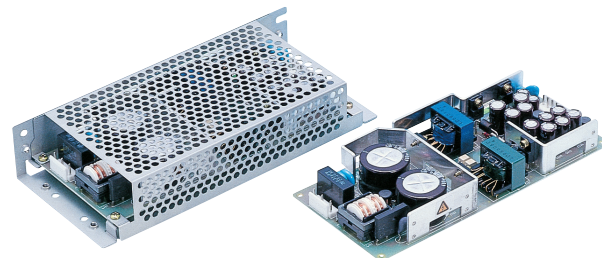


PBB2C-T Series

15-60 WATTS TRIPLE OUTPUT AC/DC GENERAL

Features

- Full range input voltage
- Compact construction
- Enclosed or open PCB construction
- Short circuit and overvoltage protection
- UL, CSA & TÜV approval
- DC input



Specifications

INPUT

| | |
|-----------------|--|
| Voltage | 85–264Vac or 110–340Vdc. |
| Frequency | 47–440Hz or DC. |
| Efficiency | 72% typical. |
| Inrush current | 50A @ 230V PBB2C-F, PBB2C-H. 60A @ 230V PBB2C-K. |
| Leakage current | 0.75mA maximum |
| Isolation | Input – output: AC 3000V 1 minute Input – FG: AC 2000V 1 minute Output – FG: AC 500V 1 minute Output – output: V1-V2/V3: 100Vac |

OUTPUT

| | |
|------------------------|--|
| Voltage adjustment | Not available – fixed output voltages. |
| Overcurrent protection | 105% of rating and recovers automatically. |
| Overvoltage protection | 115% of rated voltage by clamping V1 only. |
| Ripple | 100mV pk-pk 5V rails, 1% pk-pk 12V and 15V rails. |
| Noise | 150mV maximum all outputs |
| Line regulation | 20mV 5 rails. 48mV 12 rails. 60mV 15V rails. |
| Load regulation | 100mV 5 rails. 150mV 12/15 rails. |
| Rise time | 100mS max. PBB2C-F, PBB2C-H, (AC in 110VAC) 200mS max. PBB2C-K (AC in 110VAC) |
| Holdup time | 100mS typical at 230VAC |

ENVIRONMENTAL

| | |
|-----------------------|--|
| Operating temperature | -10°C to 50°C convection cooled and 100% load, with 75% load to 60°C |
| Cooling | Free air convection |
| Humidity | 20-90% non-condensing |
| Vibration | 10Hz~55Hz, 2G 3 mins. For 60 mins |
| Impact | 20G, 11mS |

STANDARDS

| | |
|------------------|--|
| Safety standards | UL60950-1, UL60950-1, CSA C22.2 No.234 EN60950-1, EN50178 |
| C-Tick | AS/NZS CISPR11 Group 1, Class A |
| EMI standards | FCC Class B, VCCI-B, CISPR22-B, EN55022-B |

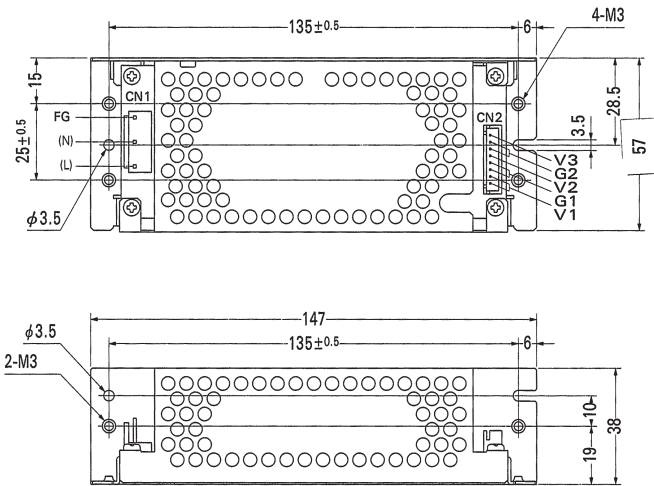
PBB2C-T Series

15-60 WATTS TRIPLE OUTPUT AC/DC GENERAL

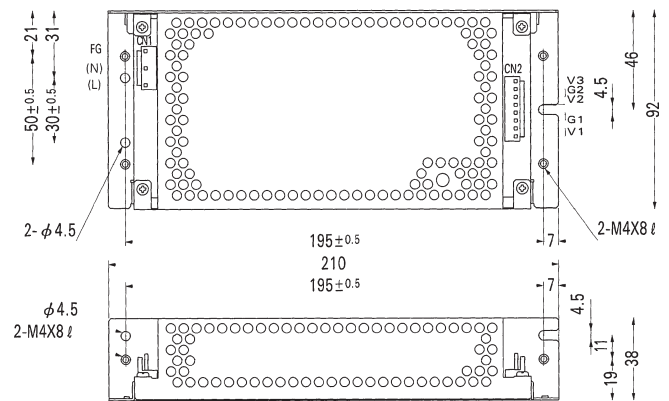
| MODEL NUMBER | OUTPUT #1 | | | OUTPUT #2 | | | OUTPUT #3 | | | MAX OUTPUT |
|--------------|-----------|------|-------|-----------|------|-------|-----------|------|-------|------------|
| | VNOM | INOM | IPEAK | VNOM | INOM | IPEAK | VNOM | INOM | IPEAK | POWER |
| PBB2C-T1F | +5V | 2A | 3A | +12V | 0.3A | 0.6A | -12V | 0.2A | 0.3A | 15W |
| PBB2C-T2F | +5V | 2A | 3A | +15V | 0.3A | 0.6A | -15V | 0.2A | 0.3A | 15W |
| PBB2C-T1H | +5V | 3A | 4.5A | +12V | 1.2A | 2.0A | -12V | 0.3A | 0.45A | 30W |
| PBB2C-T2H | +5V | 3A | 4.5A | +15V | 1.0A | 2.0A | -15V | 0.3A | 0.45A | 30W |
| PBB2C-T1K | +5V | 5A | 7A | +12V | 2.5A | 3.5A | -12V | 0.5A | 0.7A | 60W |
| PBB2C-T2K | +5V | 5A | 7A | +15V | 2.0A | 3.5A | -15V | 0.5A | 0.7A | 60W |

Technical Illustrations

PBB2C-F



PBB2C-K



PBB2C-H

